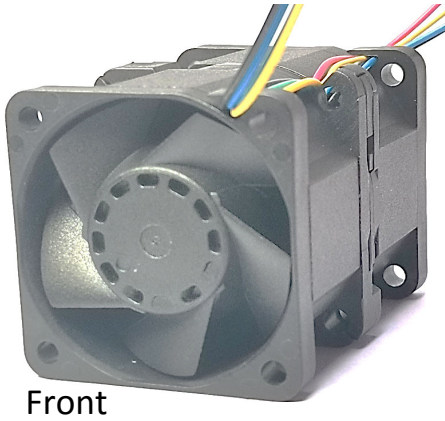




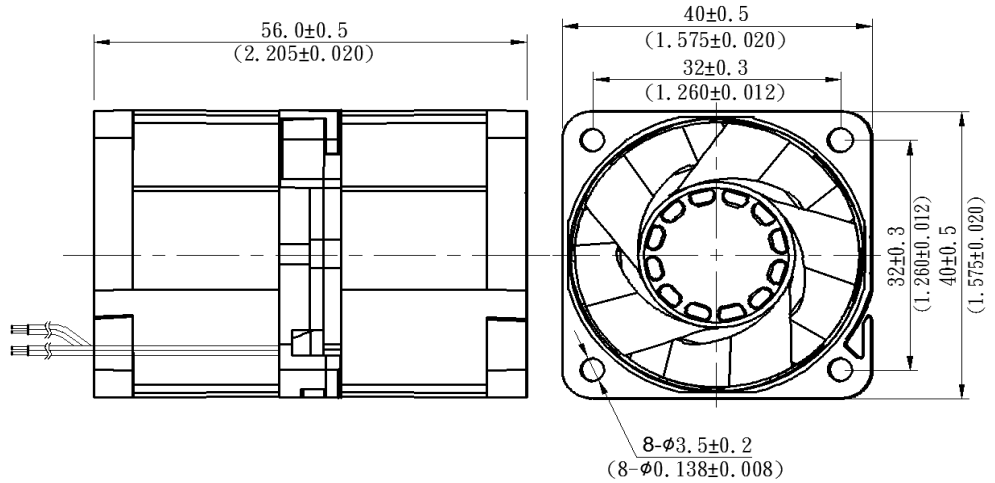
# GLOBEFAN TECHNOLOGY CO., LTD.

No. 28, 3 Lane Zhongxinjin Road, Jin Industry District Shoei Koou Village,  
 Da Laang Town, Dungguan City, Guangdong Province, China  
 Tel : +86 769 83182898~9 Fax : +86 769 83182897

## ◆ DIMENSIONS DRAWING

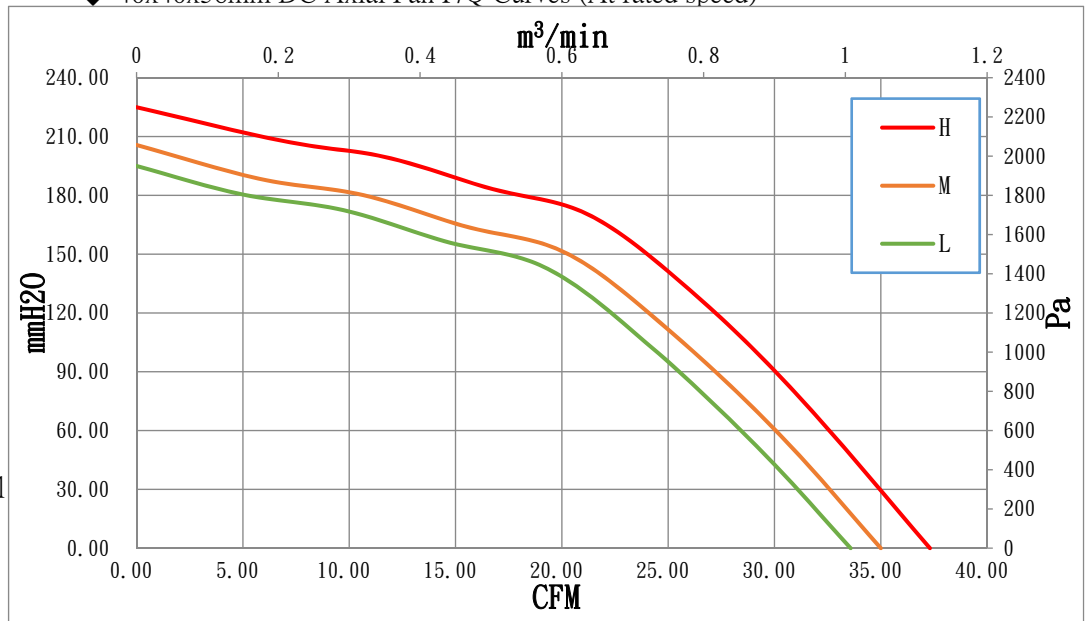


Front



- \* Rohs Compliant
- \* Bearing Type
  - 2 Ball bearing
- \* Electrical Function
  - PWM (Pulse Width Modulation)
  - FG or RD Output Signal
- \* Material
  - Impeller: Plastic (PBT UL 94V-0)
  - Frame : Plastic (PBT UL 94V-0)
- \* Lead wires
  - UL 1061 AWG#26 or Equivalent
  - Yellow Wire Positive (+)
  - Black Wire Negative (-)
  - Green Wire FG or RD Output Signal
  - Blue Wire PWM
- \* Weight : 99g (3.49 oz)

## ◆ 40x40x56mm DC Axial Fan P/Q Curves (At rated speed)



MODEL	Operating Voltage Range	Rated Voltage	Rated Current	Rated Input Power	Speed (Front / Rear)	Maximum Air Flow		Maximum Air Pressure		Noise
Part No.	VDC	VDC	Amp	Watts	R.P.M±10%	m <sup>3</sup> /min	CFM	mmH <sub>2</sub> O	InH <sub>2</sub> O	dB(A)
B0405612LP-4M	10.2 ~ 13.8	12	2.60	31.2	28000 / 25000	0.95	33.58	194.98	7.68	68.4
B0405612MP-4M	10.2 ~ 13.8	12	2.80	33.6	29000 / 26000	0.99	35.00	205.69	8.10	69.4
B0405612HP-4M	10.2 ~ 13.8	12	3.00	36.0	30500 / 28000	1.06	37.31	224.96	8.86	71.3

- \* Function type is optional.
- \* The max. air flow and speed are measured in free air; max. air pressure is measured at close to zero air flow.
- \* Noise is measured in anechoic chamber in free air, one meter from intake side.
- \* All readings are typical values at rated voltage.
- \* Specifications are subject to change without notice.